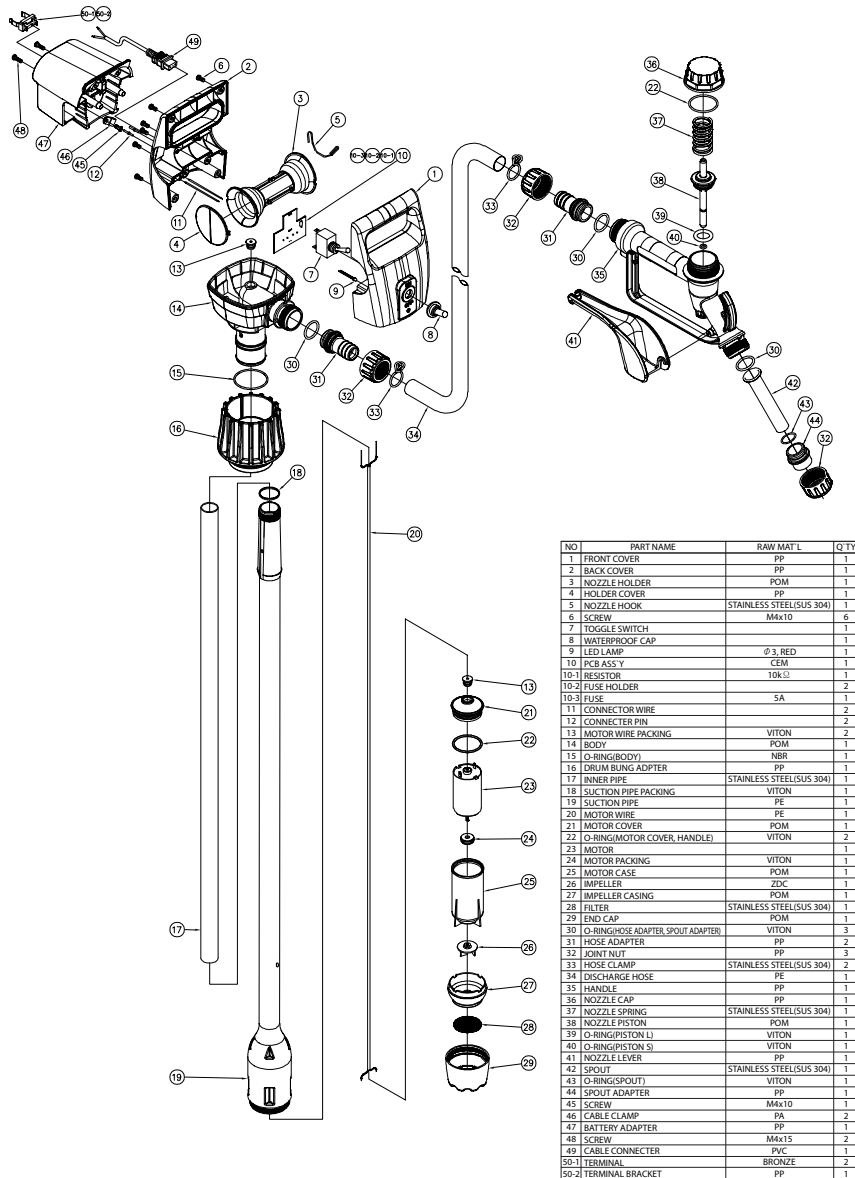


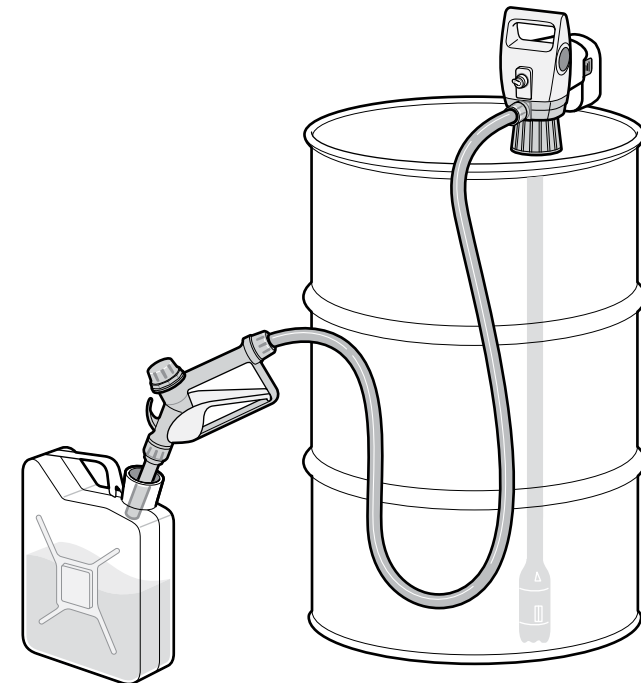
ASSEMBLY DIAGRAM



NO	PART NAME	RAW MAT'L	QTY
1	FRONT COVER	PP	1
2	BACK COVER	PP	1
3	NOZZLE HOLDER	POM	1
4	HOLDER COVER	PP	1
5	NOZZLE HOOK	STAINLESS STEEL(SUS 304)	1
6	SCREW	M4x10	6
7	TOGGLE SWITCH		1
8	WATERPROOF CAP		1
9	LED LAMP	Ø3, RED	1
10	PCB ASS'Y	CEM	1
10-1	RESISTOR	10k Ω	1
10-2	FUSE HOLDER		2
10-3	FUSE	5A	1
11	CONNECTOR WIRE		2
12	CONNECTOR PIN		2
13	MOTOR WIRE PACKING	VITON	2
14	BODY	POM	1
15	O-RING(BODY)	NBR	1
16	DRUM BUNG ADAPTER	PP	1
17	INNER PIPE	STAINLESS STEEL(SUS 304)	1
18	SUCTION PIPE PACKING	VITON	1
19	SUCTION PIPE	PE	1
20	MOTOR WIRE	PE	1
21	MOTOR COVER	POM	1
22	O-RING(MOTOR COVER, HANDLE)	VITON	2
23	MOTOR		1
24	MOTOR PACKING	VITON	1
25	MOTOR CASE	POM	1
26	IMPELLER	ZDC	1
27	IMPELLER CASING	POM	1
28	FILTER	STAINLESS STEEL(SUS 304)	1
29	END CAP	POM	1
30	O-RING(HOSE ADAPTER, SPOUT ADAPTER)	VITON	3
31	HOSE ADAPTER	PP	2
32	JOINT NUT	PP	3
33	HOSE CLAMP	STAINLESS STEEL(SUS 304)	2
34	DISCHARGE HOSE	PE	1
35	HANDLE	PP	1
36	NOZZLE CAP	PP	1
37	NOZZLE SPRING	STAINLESS STEEL(SUS 304)	1
38	NOZZLE PISTON	POM	1
39	O-RING(PISTON LI)	VITON	1
40	O-RING(PISTON SI)	VITON	1
41	NOZZLE LEVER	PP	1
42	SPOUT	STAINLESS STEEL(SUS 304)	1
43	O-RING(SPOUT)	VITON	1
44	SPOUT ADAPTER	PP	1
45	SCREW	M4x10	1
46	CABLE CLAMP	PA	2
47	BATTERY ADAPTER	PP	1
48	SCREW	M4x15	2
49	CABLE CONNECTER	PVC	1
50-1	TERMINAL	BRONZE	2
50-2	TERMINAL BRACKET	PP	1



TED-1 Pump INSTRUCTION MANUAL



Titan CTS

3040 White Horse Road | Greenville, SC 29611 | 864.385.7030

www.titancts.com

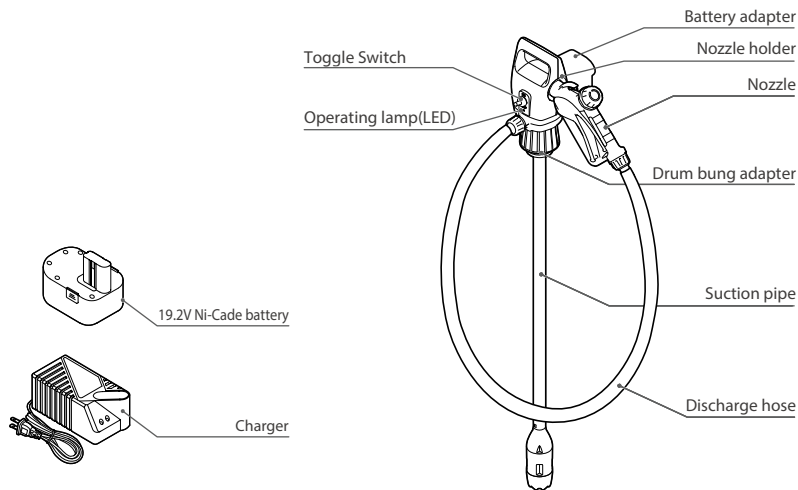
Precautions for Use

These instructions are to ensure the product is used correctly, safely, and to prevent any possible risk or damage to the user and/or others people. Our company shall not take any responsibility for any failure of product, malfunction and damages caused by improper use by the user or third parties.

⚠ DANGER Follow all directions below to prevent serious injury.	⚠ WARNING Follow all directions below to prevent serious injury.	⚠ CAUTION Follow all directions below to prevent serious injury.
---	--	--

⚠ DANGER Do not use for flammable liquids or concentrated acids. Be cautious. This pump does not have an explosion proof motor. Do not use near the flammable materials such as gasoline, gas, etc. Only use on applicable liquids written on the specifications.	⚠ WARNING Make sure the pump is tightly secured to the drum (tank) before turning the pump on. Do not refuel directly while the vehicle or equipment is turned on. Do not leave the pump unattended. Do not bend, bind or pull the power cord by force. Make sure to use the pump on even surface. Do not allow children to operate the product without adult supervision.	⚠ CAUTION After using the pump, do not keep it on its side or upside down. Make sure to remove any left-over liquid in the discharge hose after each use. Do not alter or disassemble the pump. Do not run the pump 'dry' or let the pump idle without transferring. Make sure to turn off the power after using the pump. Do not shock the pump. Do not use deteriorated or contaminated liquids and fuels. Do not place the pump in a wet area. Do not use this pump for hot liquids above 40°C (104°F).
--	---	--

Names of Parts



Specifications

Delivery volume	Approx. 7 Gallons	Operating temperature	+5°C ~ 40°C (41°F ~ 104°F)
Suction pipe length	Approx. 850 ~ 33.5" ~ 34"	Operating voltage	DC19.2V
Discharge hose length	Approx. 10ft	Fuse	5A
Applicable liquids	Diesel, DEF(AdBlue), Water, Kerosene, Antifreeze, Windshield washer fluid, Mild detergents, Agricultural chemicals, Light oils.		

Directions for Use

