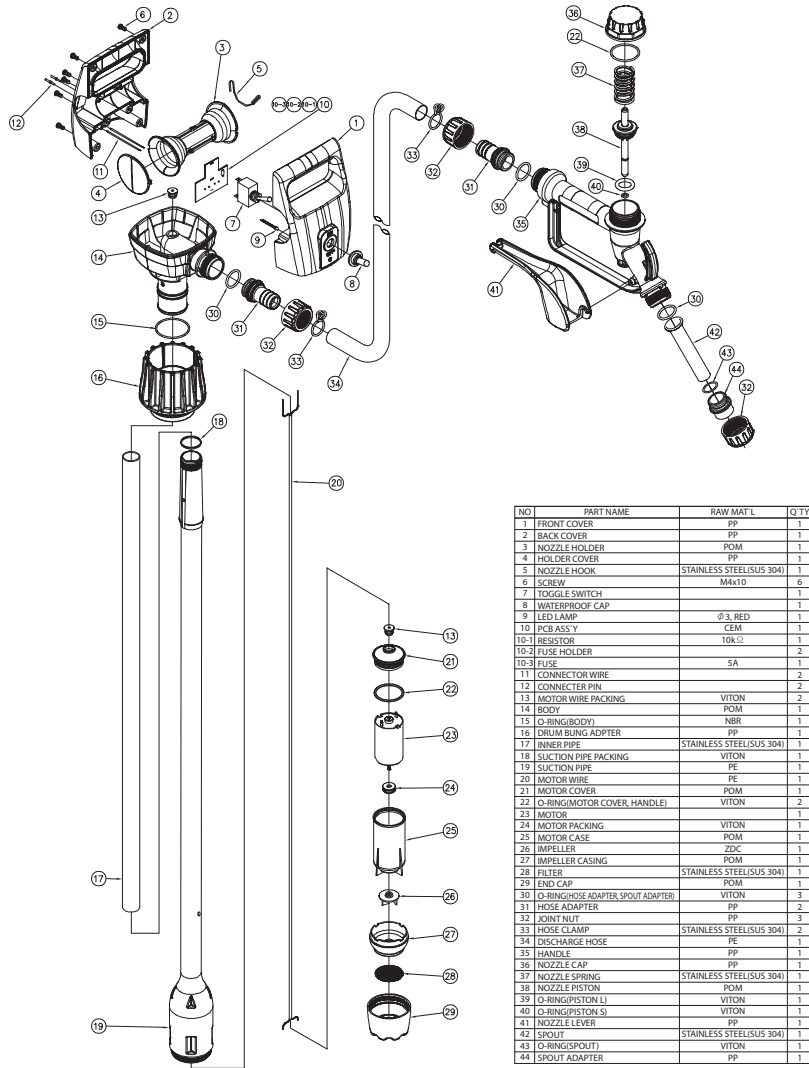


ASSEMBLY DIAGRAM

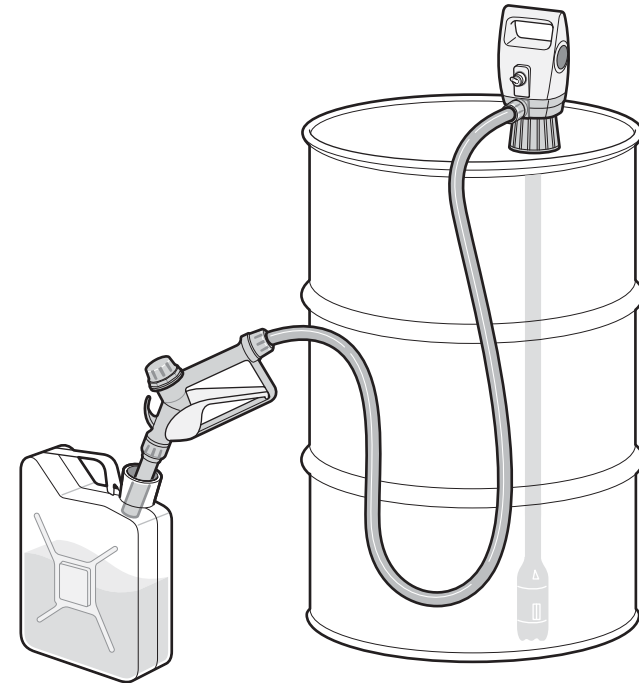


NO	PART NAME	RAW.MAT'L	QTY
1	FRONT COVER	PP	1
2	BACK COVER	PP	1
3	NOZZLE HOLDER	POM	1
4	HOLDER COVER	PP	1
5	NOZZLE HOOK	STAINLESS STEEL(SUS 304)	1
6	SCREW	M4x10	6
7	TOGGLE SWITCH		1
8	WATERPROOF CAP		1
9	LED LAMP		1
10	PCB ASS'Y	CEM	1
10-1	RESISTOR	10KΩ	1
10-2	FUSE HOLDER		2
10-3	FUSE	5A	1
11	CONNECTOR WIRE		2
12	CONNECTOR PIN		2
13	MOTOR WIRE PACKING	VITON	2
14	BODY	POM	1
15	O-RING(BODY)	NBR	1
16	DRUM BUNG ADAPTER	PP	1
17	INNER PIPE	STAINLESS STEEL(SUS 304)	1
18	SUCTION PIPE PACKING	VITON	1
19	SUCTION PIPE	PE	1
20	MOTOR WIRE	PE	1
21	MOTOR COVER	POM	1
22	O-RING(MOTOR COVER, HANDLE)	VITON	2
23	MOTOR		1
24	MOTOR PACKING	VITON	1
25	MOTOR CASE	POM	1
26	IMPELLER	ZDC	1
27	IMPELLER CASING	POM	1
28	FILTER	STAINLESS STEEL(SUS 304)	1
29	END CAP	POM	1
30	O-RING(HOSE ADAPTER, SPOUT ADAPTER)	VITON	3
31	HOSE ADAPTER	PP	2
32	JOINT NUT	PP	3
33	HOSE CLAMP	STAINLESS STEEL(SUS 304)	2
34	DISCHARGE HOSE	PE	1
35	HANDLE	PP	1
36	NOZZLE CAP	PP	1
37	NOZZLE SPRING	STAINLESS STEEL(SUS 304)	1
38	NOZZLE PISTON	POM	1
39	O-RING(PISTON L)	VITON	1
40	O-RING(PISTON S)	VITON	1
41	NOZZLE LEVER	PP	1
42	SPOUT	STAINLESS STEEL(SUS 304)	1
43	O-RING(SPOUT)	VITON	1
44	SPOUT ADAPTER	PP	1



TED-1 Pump

INSTRUCTION MANUAL



Titan CTS

3040 White Horse Road | Greenville, SC 29611 | 864.385.7030

www.titancts.com

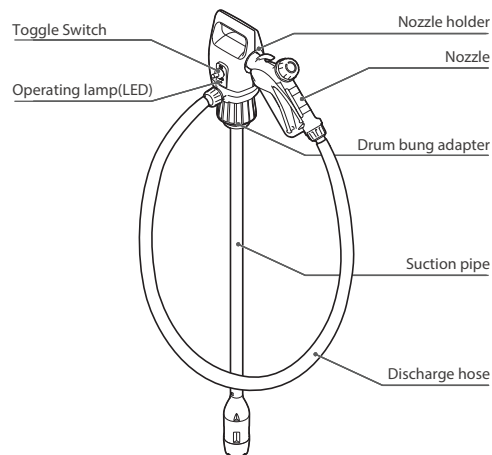
Precautions for Use

These instructions are to ensure the product is used correctly, safely, and to prevent any possible risk or damage to the user and/or others people. Our company shall not take any responsibility for any failure of product, malfunction and damages caused by improper use by the user or third parties.

⚠ DANGER	⚠ WARNING	⚠ CAUTION
Follow all directions below to prevent serious injury.	Follow all directions below to prevent serious injury.	Follow all directions below to prevent serious injury.

⚠ DANGER	⚠ WARNING	⚠ CAUTION
Do not use for flammable liquids or concentrated acids.	Make sure the pump is tightly secured to the drum (tank) before turning the pump on.	After using the pump, do not keep it on its side or upside down.
Be cautious. This pump does not have an explosion proof motor.	Do not refuel directly while the vehicle or equipment is turned on.	Make sure to remove any left-over liquid in the discharge hose after each use.
Do not use near the flammable materials such as gasoline, gas, etc.	Do not leave the pump unattended.	Do not alter or disassemble the pump.
Only use on applicable liquids written on the specifications.	Do not bend, bind or pull the power cord by force.	Do not run the pump 'dry' or let the pump idle without transferring.
	Make sure to use the pump on even surface.	Make sure to turn off the power after using the pump.
	Do not allow children to operate the product without adult supervision.	Do not shock the pump.
		Do not use deteriorated or contaminated liquids and fuels.
		Do not place the pump in a wet area.
		Do not use this pump for hot liquids above 40°C (104°F).

Names of Parts



Specifications

Delivery volume	Approx. 5 Gallons	Operating temperature	+5°C ~ 40°C (41°F ~ 104°F)
Suction pipe length	Approx. 850 ~ 33.5" ~ 34"	Operating voltage	DC12V ~ 20V
Discharge hose length	Approx. 10 ft	Fuse	5A
Applicable liquids	Diesel, DEF(AdBlue), Water, Kerosene, Antifreeze, Windshield washer fluid, Mild detergents, Agricultural chemicals, Light oils.		

Directions for Use

- 1 Insert the suction pipe into the drum.
- 2 Tighten the drum bung adapter.
- 3 Pull out the nozzle from the nozzle holder.
- 4 Place the nozzle into the receiving container to transfer liquid.
- 5 Toggle switch ON(Up).
- 6 Pull the nozzle lever and start supplying the liquid.
- 7 Release the lever when the liquid supply is completed.
- 8 Toggle switch OFF(Down).
- 9 Pulling the lever of the nozzle, lift it up.
- 10 Let the left-over liquid in the hose flow back into the drum (tank).
- 11 Insert the nozzle in the nozzle holder for storage.